



Photocoupler Product Data Sheet 6N135-H / 6N136-H series

Spec No. :DS70-2016-0027
Effective Date: 05/28/2019
Revision: B

LITE-ON DCC

RELEASE

BNS-OD-FC001/A4

Photocoupler 6N135-H / 6N136-H series

1. DESCRIPTION

The 6N135-H/6N136-H consists of a high efficient AlGaAs Light Emitting Diode and a high speed optical detector. This design provides excellent AC and DC isolation between the input and output sides of the Optocoupler. Connection for the bias of the photodiode improves the speed that of a conventional phototransistor coupler by reducing the base-collector capacitances. The internal shield ensures high common mode transient immunity. A guaranteed common mode transient immunity is up to 1KV/ μ sec.

1.1 Features

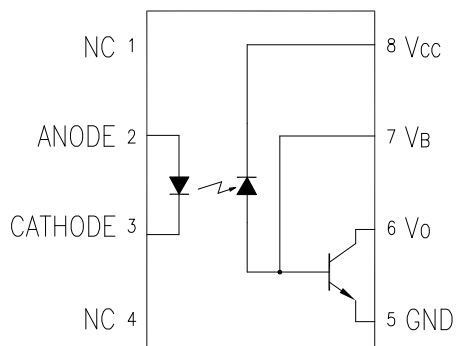
- High speed – 1MBd typical
- Available in Dual-in-line, Wide lead spacing, Surface mounting package.
- Storable output.
- UL, CSA approval

1.2 Applications

- Isolation in line receivers
- Digital isolation for A/D, D/A conversion
- Ground loop elimination
- Feedback Element in Switching Mode Power Supplier
- Pulse transformer replacement
- Power transistor isolation in motor drives
- Interface between Microprocessor system, computer and their peripheral

1.3 Functional Diagram

Pin No. and Internal connection diagram



Truth Table (Positive Logic)

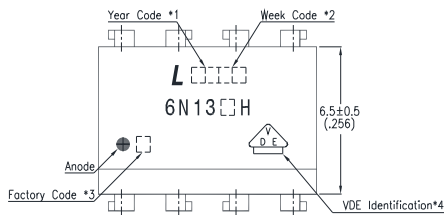
LED	OUT
ON	L
OFF	H

A 0.1 μ F bypass Capacitor must be connected between Pin8 and Pin5

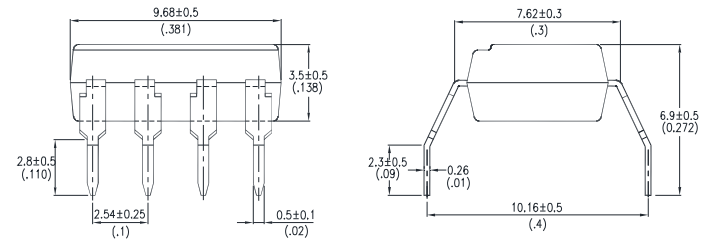
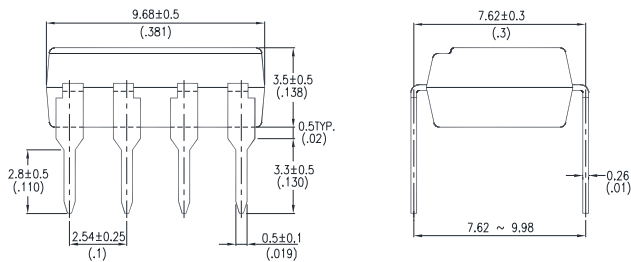
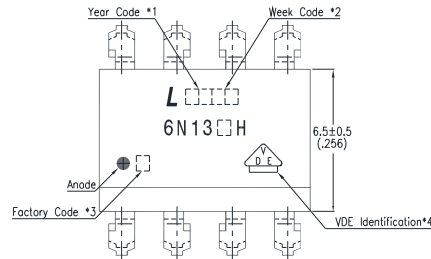
Photocoupler 6N135-H / 6N136-H series

2. PACKAGE DIMENSIONS

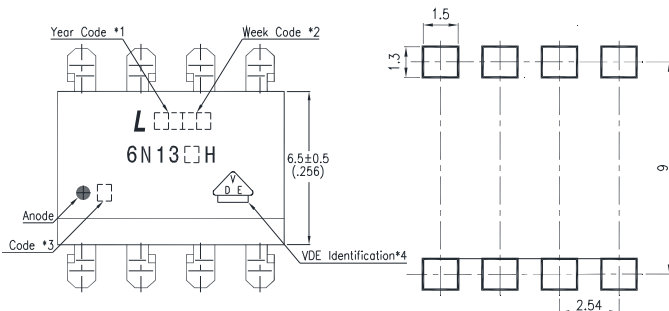
2.1 6N135-H / 6N136-H



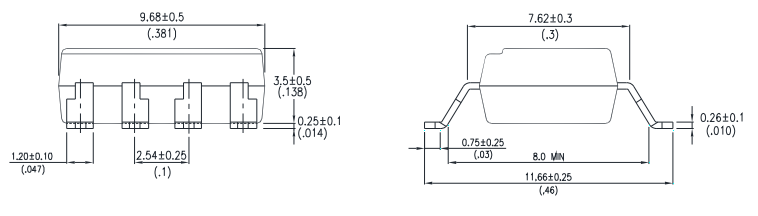
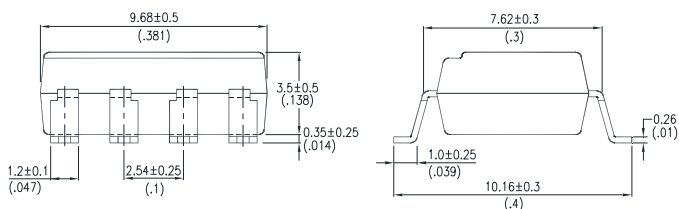
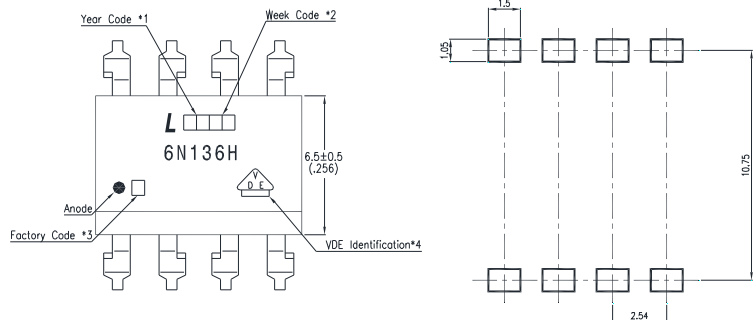
2.2 6N135M-H / 6N136M-H



2.3 6N135S-H / 6N136S-H



2.4 6N136S2-H



Notes :

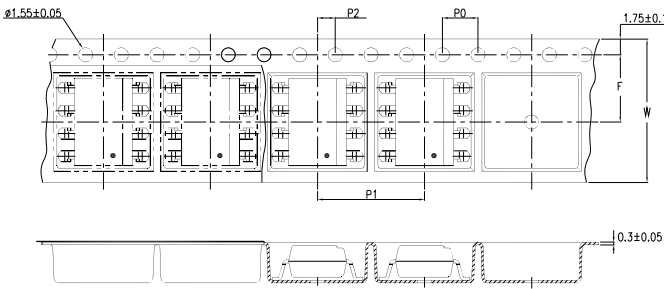
1. Year date code.
2. 2-digit work week.
3. Factory identification mark shall be marked (Y: Thailand)
4. VDE identification mark (option).

Dimensions in millimeters (inches).

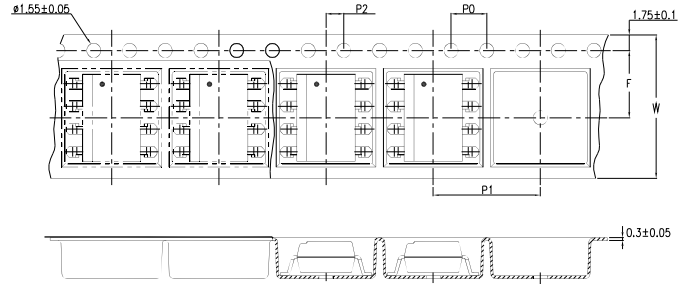
Photocoupler 6N135-H / 6N136-H series

3. TAPING DIMENSIONS

3.1 : 6N135S-TA-H / 6N136S-TA-H

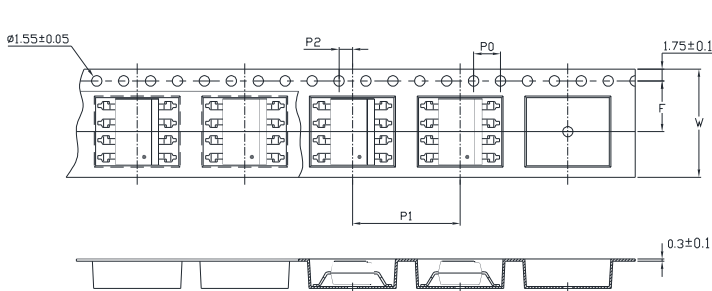


3.2 : 6N135S-TA1-H / 6N136S-TA1-H

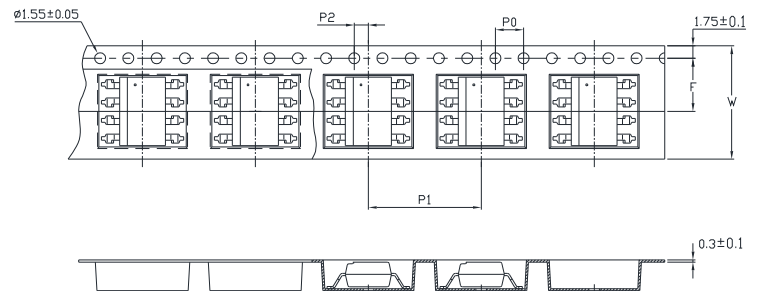


Description	Symbol	Dimension in mm (inch)
Tape wide	W	16±0.3 (0.63)
Pitch of sprocket holes	P ₀	4±0.1 (0.15)
Distance of compartment	F	7.5±0.1 (0.295)
	P ₂	2±0.1 (0.079)
Distance of compartment to compartment	P ₁	12±0.1 (0.472)

3.3 : 6N135S2-TA-H / 6N136S2-TA-H



3.4 : 6N135S2-TA1-H / 6N136S2-TA1-H



Description	Symbol	Dimension in mm (inch)
Tape wide	W	16±0.3 (0.63)
Pitch of sprocket holes	P ₀	4±0.1 (0.15)
Distance of compartment	F	7.5±0.1 (0.295)
	P ₂	2±0.1 (0.079)
Distance of compartment to compartment	P ₁	12±0.1 (0.472)

Photocoupler 6N135-H / 6N136-H series

4. RATING AND CHARACTERISTICS

4.1 Absolute Maximum Ratings at Ta=25°C *

	Parameter	Symbol	Rating	Unit	Note
Input	Average Forward Input Current	I_F	25	mA	
	Peak Transient Input Current ($\leq 1 \mu\text{s}$ pulse width, 300 pps)	$I_{F(\text{TRANS})}$	1	A	
	Junction Temperature	T_J	125	°C	
	Reverse Input Voltage	V_R	5	V	
	Power Dissipation	P_I	45	mW	
Output	Output Collector Current	I_O	8	mA	
	Output Collector Voltage	V_O	20	V	
	Output Collector Power Dissipation	P_O	100	mW	
	Isolation Voltage	V_{iso}	5000	V_{rms}	
	Supply Voltage	V_{CC}	30	V	
	Operating Temperature	T_{opr}	-55 ~ +100	°C	
	Storage Temperature	T_{stg}	-55 ~ +125	°C	
	Lead Solder Temperature **	T_{sol}	260	°C	

* Ambient temperature = 25°C, unless otherwise specified. Stresses exceeding the absolute maximum ratings can cause permanent damage to the device. Exposure to absolute maximum ratings for long periods of time can adversely affect reliability.

** 260°C for 10 seconds. Refer to Lead Free Reflow Profile.

Photocoupler 6N135-H / 6N136-H series

4.2 ELECTRICAL OPTICAL CHARACTERISTICS at $T_A = 25^\circ\text{C}$

Parameters	Test Condition	Symbol	Device	Min	Typ	Max	Units	Fig.	Note
Input Forward Voltage	$I_F = 16\text{mA}$, $T_A = 25^\circ\text{C}$	V_F		—	1.4	1.7	V	5	
Input Reverse Voltage	$I_R = 10\mu\text{A}$	BV_R		5	—	—	V		
Current transfer ratio	$I_F = 16\text{mA}$; $V_{CC} = 4.5\text{V}$; $T_A = 25^\circ\text{C}$; $V_O = 0.4\text{V}$	CTR	6N135	7	35	60	%	3, 4, 6	2
	$I_F = 16\text{mA}$; $V_{CC} = 4.5\text{V}$; $T_A = 25^\circ\text{C}$; $V_O = 0.4\text{V}$		6N136	19	38	60			
Logic low output voltage output voltage	$I_F = 16\text{mA}$; $V_{CC} = 4.5\text{V}$; $I_O = 1.1\text{mA}$; $T_A = 25^\circ\text{C}$	V_{OL}	6N135	—	—	0.4	V	3	
	$I_F = 16\text{mA}$; $V_{CC} = 4.5\text{V}$; $I_O = 3\text{mA}$; $T_A = 25^\circ\text{C}$		6N136	—	—	0.4	V		
Logic high output current	$I_F = 0\text{mA}$, $V_O = V_{CC} = 15\text{V}$ $T_A = 25^\circ\text{C}$	I_{OH}		—	—	1	μA	9	
Logic low supply current	$I_F = 16\text{mA}$, $V_O = \text{open}$ ($V_{CC} = 15\text{V}$)	I_{CCL}		—	170	—	μA		
Logic high supply current	$I_F = 0\text{mA}$, $V_O = \text{open}$; $T_A = 25^\circ\text{C}$ ($V_{CC} = 15\text{V}$)	I_{CCH}		—	—	1	μA		

Over recommended temperature ($T_A = 0^\circ\text{C}$ to 70°C) unless otherwise specified.

Photocoupler 6N135-H / 6N136-H series

5. SWITCHING SPECIFICATION

Parameter	Test Condition	Symbol	Device	Min	Typ	Max	Units	Fig.	Note
Propagation Delay Time to Low Output Level	$T_A=25^\circ\text{C}$ $R_L=4.1\text{K}\Omega$	t_{PHL}	6N135	—	0.2	1.5	μs	1,7,8	3, 4
	$T_A=25^\circ\text{C}$ $R_L=1.9\text{K}\Omega$		6N136	—	0.2	0.8			
Propagation Delay Time to High Output Level	$T_A=25^\circ\text{C}$ $R_L=4.1\text{K}\Omega$	t_{PLH}	6N135	—	0.9	1.5	μs	1,7,8	3, 4
	$T_A=25^\circ\text{C}$ $R_L=1.9\text{K}\Omega$		6N136	—	0.6	0.8			
Logic High Common Mode Transient Immunity	$I_F=0\text{mA}; V_{\text{CM}}=10\text{V};$ $R_L=1.9\text{K}\Omega; T_A=25^\circ\text{C}$	$ \text{CM}_H $		1	—	—	$\text{KV}/\mu\text{s}$	2	3, 4, 6
Logic Low Common Mode Transient Immunity	$I_F=0\text{mA}; V_{\text{CM}}=10\text{V};$ $R_L=1.9\text{K}\Omega; T_A=25^\circ\text{C}$	$ \text{CM}_L $		1	—	—	$\text{KV}/\mu\text{s}$	2	3, 4, 6

Over recommended temperature ($T_A = 0^\circ\text{C}$ to 70°C), $V_{\text{CC}} = 5\text{V}$, $I_F = 16\text{mA}$ unless otherwise specified.

Photocoupler 6N135-H / 6N136-H series

6. ISOLATION CHARACTERISTIC

Parameter	Symbol	Min.	Typ.	Max.	Unit	Test Condition	Note
Input-Output Insulation Leakage Current	I_{I-O}	—	—	1.0	μA	45% RH, $t = 5s$, $V_{I-O} = 3kV DC$, $T_A = 25^\circ C$	5
Withstand Insulation Test Voltage	V_{ISO}	5000	—	—	V_{RMS}	RH $\leq 50\%$, $t = 1min$, $T_A = 25^\circ C$	5
Input-Output Resistance	R_{I-O}	—	10^{12}	—	Ω	$V_{I-O} = 500V DC$	5

*All Typical at $T_A = 25^\circ C$

Notes

1. A 0.1 μF or bigger bypass capacitor for V_{CC} is needed as shown in Fig.1
2. Current Transfer Ratio is defined as the ratio of output collector current I_o , to the forward LED input current I_F , times 100.
3. The 1.9K Ω load represents 1TTL unit load of 1.6mA and the 5.6K Ω pull-up resistor.
4. The 4.1K Ω load represents 1LSTTL unit load of 0.36mA and the 6.1K Ω pull-up resistor.
5. Device considered a two-terminal device: Pins 1, 2, 3, and 4 shorted together and Pins 5, 6, 7, and 8 shorted together.
6. Common mode transient immunity in a Logic High level is the maximum tolerable (positive) dV_{CM}/dt on the leading edge of the common mode pulse signal, V_{CM} , to assure that the output will remain in a Logic High state (i.e., $V_O > 2.0 V$). Common mode transient immunity in a Logic Low level is the maximum tolerable (negative) dV_{CM}/dt on the trailing edge of the common mode pulse signal, V_{CM} , to assure that the output will remain in a Logic Low state (i.e., $V_O < 0.8 V$).

Photocoupler 6N135-H / 6N136-H series

7. SWITCHING TIME TEST CIRCUIT

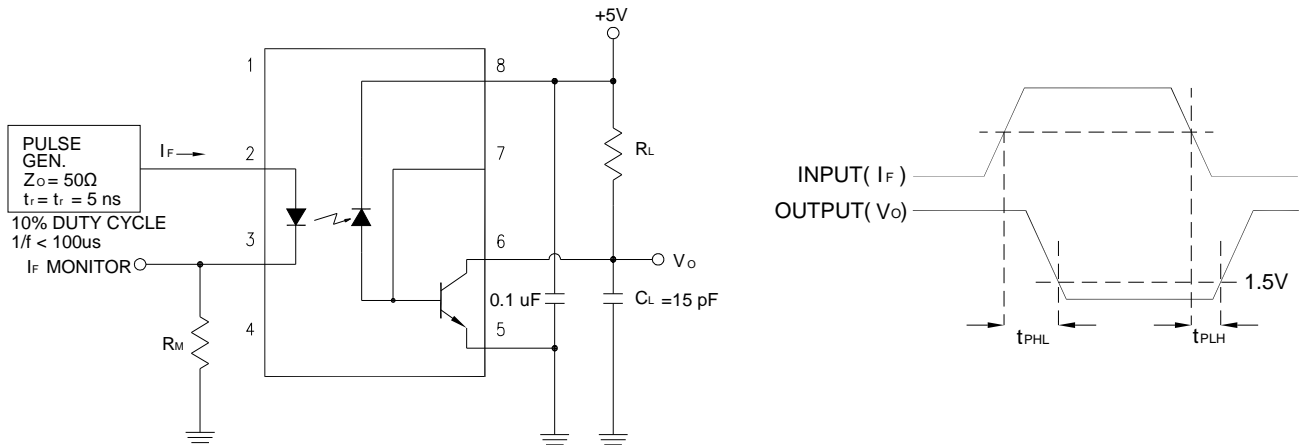


Figure 1: Test Circuit for t_{PHL} and t_{PLH}

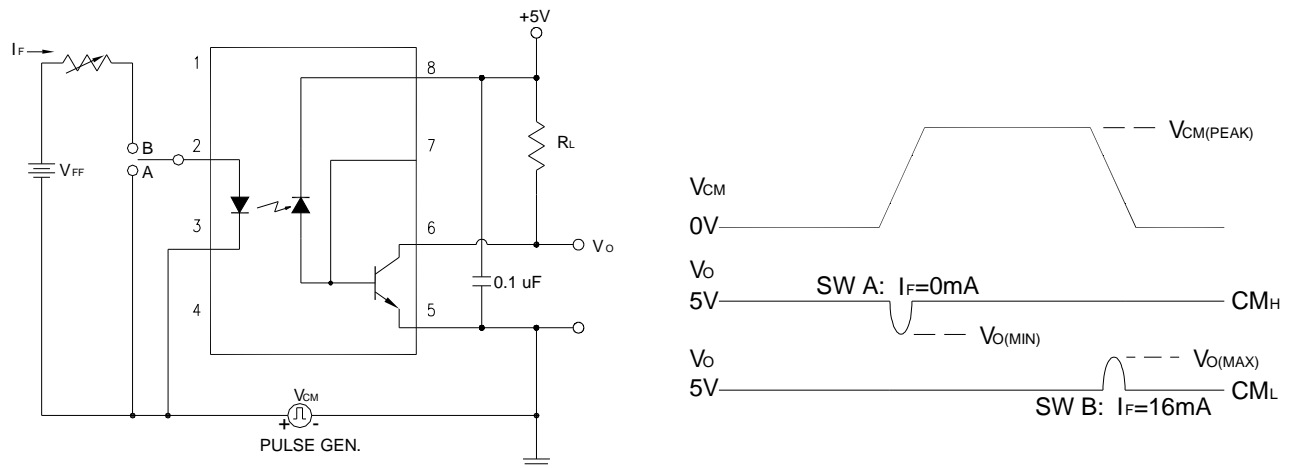


Figure 2: Single Channel Test Circuit for Common Mode Transient Immunity

Photocoupler 6N135-H / 6N136-H series

8. CHARACTERISTIC CURVES

Figure 3: DC and Pulsed Transfer Characteristics.

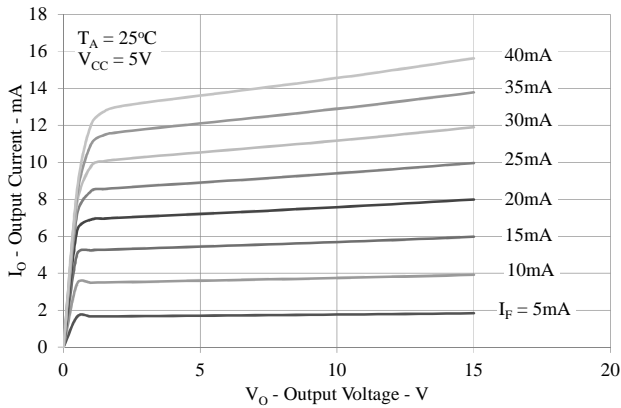


Figure 4: Current Transfer Ratio vs. Input Current.

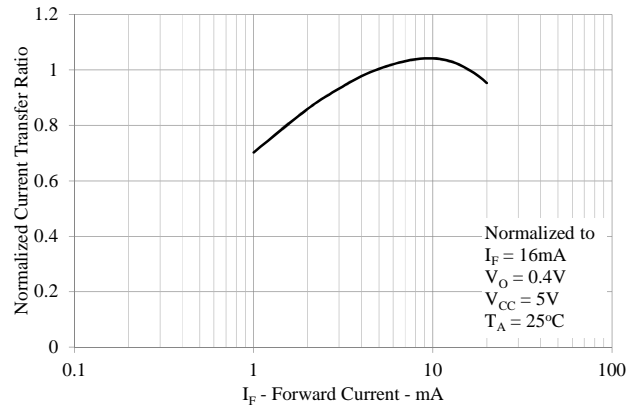


Figure 5: Input Current vs. Forward Voltage.

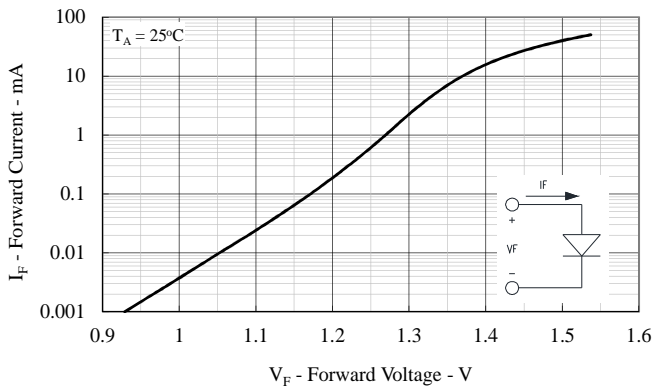


Figure 6: Current Transfer Ratio vs. Temperature.

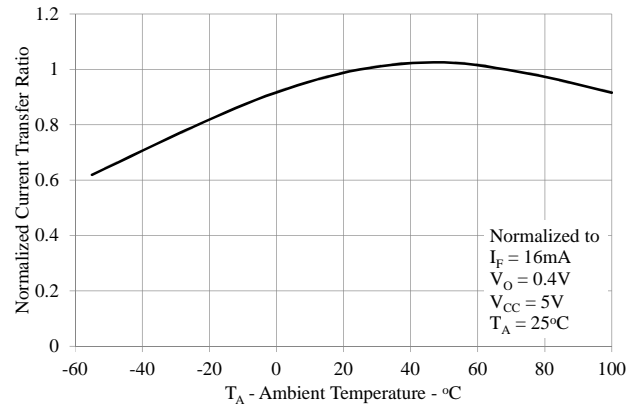


Figure 7: Propagation Delay vs. Load Resistance.

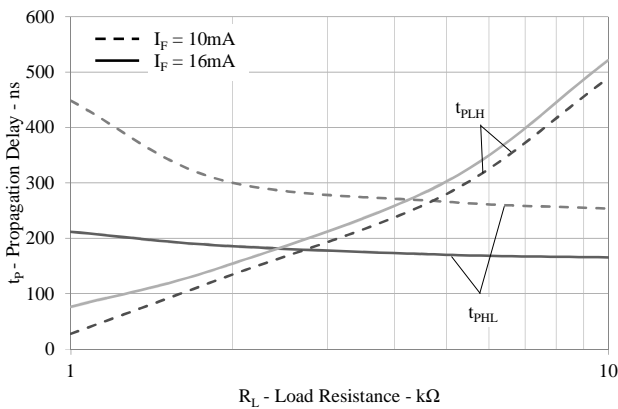
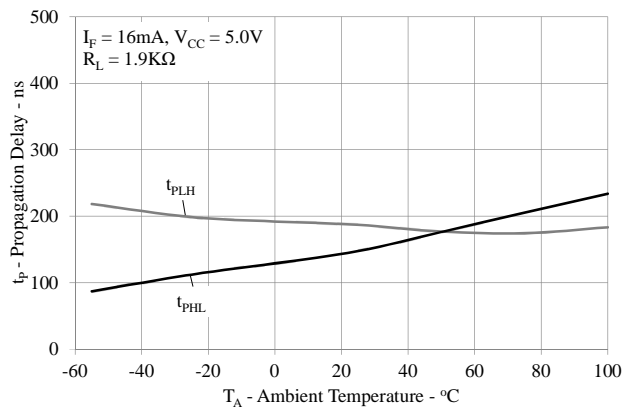


Figure 8: Propagation Delay Time vs. Temperature.



Photocoupler 6N135-H / 6N136-H series

Figure 9: Logic High Output Current vs. Temperature.

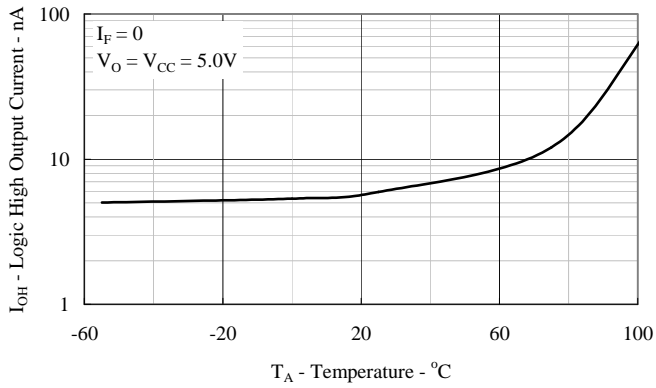
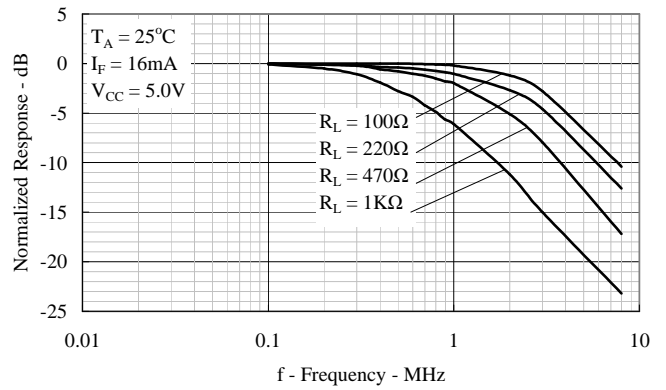


Figure 10: Frequency Response.



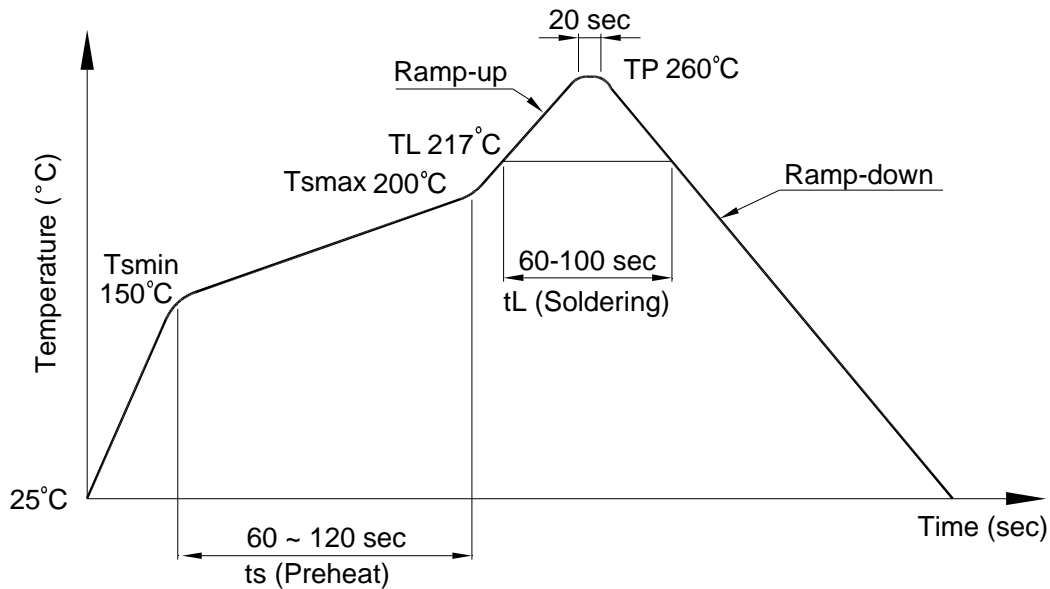
Photocoupler 6N135-H / 6N136-H series

9. TEMPERATURE PROFILE OF SOLDERING

9.1 IR Reflow soldering (JEDEC-STD-020C compliant)

One time soldering reflow is recommended within the condition of temperature and time profile shown below. Do not solder more than three times.

Profile item	Conditions
Preheat	
- Temperature Min (T_{Smin})	150°C
- Temperature Max (T_{Smax})	200°C
- Time (min to max) (ts)	90±30 sec
Soldering zone	
- Temperature (T_L)	217°C
- Time (t_L)	60 ~ 100 sec
Peak Temperature (T_P)	260°C
Ramp-up rate	3°C / sec max.
Ramp-down rate	3~6°C / sec



Photocoupler 6N135-H / 6N136-H series

9.2 Wave soldering (JEDEC22A111 compliant)

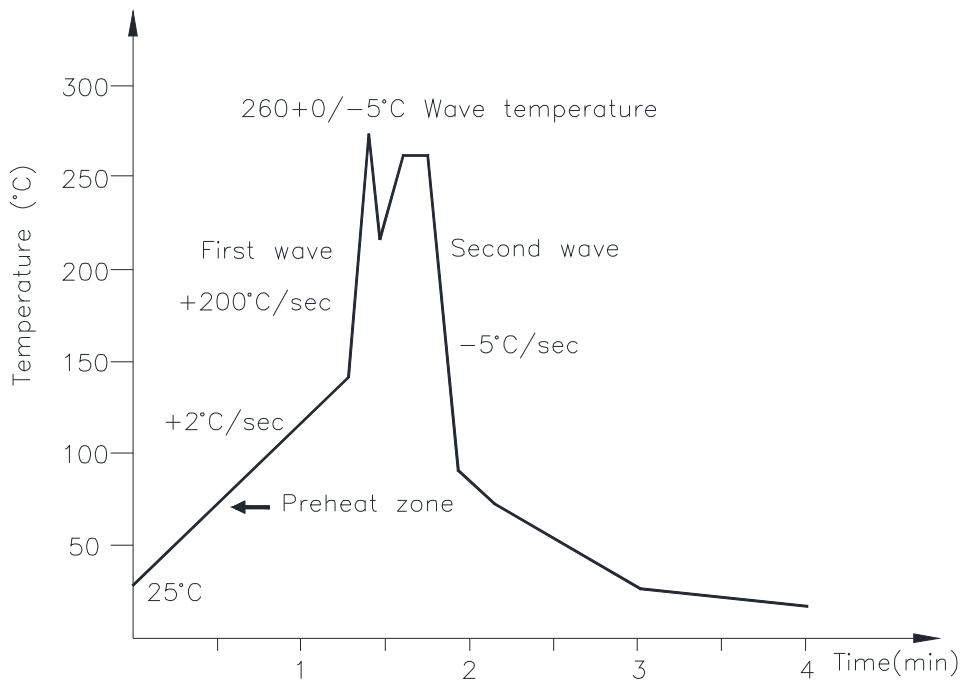
One time soldering is recommended within the condition of temperature.

Temperature: $260 \pm 0 / -5^{\circ}\text{C}$

Time: 10 sec.

Preheat temperature: 25 to 140°C

Preheat time: 30 to 80 sec.



9.3 Hand soldering by soldering iron

Allow single lead soldering in every single process. One time soldering is recommended.

Temperature: $380 \pm 0 / -5^{\circ}\text{C}$

Time: 3 sec max.

Photocoupler 6N135-H / 6N136-H series

11. NAMING RULE

Part number	Lead Frame		Suffix option				Quantity
	Type	Clearance distance	Tape & Reel	Pin 1 location	IEC/EN/DIN EN60747-5-5	Customer Code	
6N135 / 6N136	Through hole	Typ. 7 mm	-TA	lower right of the tape	-V*	—	1000 per reel 65 per tube
6N135M / 6N136M	Wide lead	Typ. 8 mm					
6N135S / 6N136S	Surface mount	Typ. 8 mm	-TA1	upper left of the tape			
6N135S2 / 6N136S2	Surface mount 2	Min. 8 mm					

Example 1 : 6N136S-TA1

Example 2 : 6N136STA1-V

* Naming rule of VDE option : All "-" before -V be removed.

12. NOTES

- LiteOn is continually improving the quality, reliability, function or design and LiteOn reserves the right to make changes without further notices.
- The products shown in this publication are designed for the general use in electronic applications such as office automation equipment, communications devices, audio/visual equipment, electrical application and instrumentation.
- For equipment/devices where high reliability or safety is required, such as space applications, nuclear power control equipment, medical equipment, etc, please contact our sales representatives.
- When requiring a device for any "specific" application, please contact our sales in advice.
- If there are any questions about the contents of this publication, please contact us at your convenience.
- The contents described herein are subject to change without prior notice.
- Immerge unit's body in solder paste is not recommended.